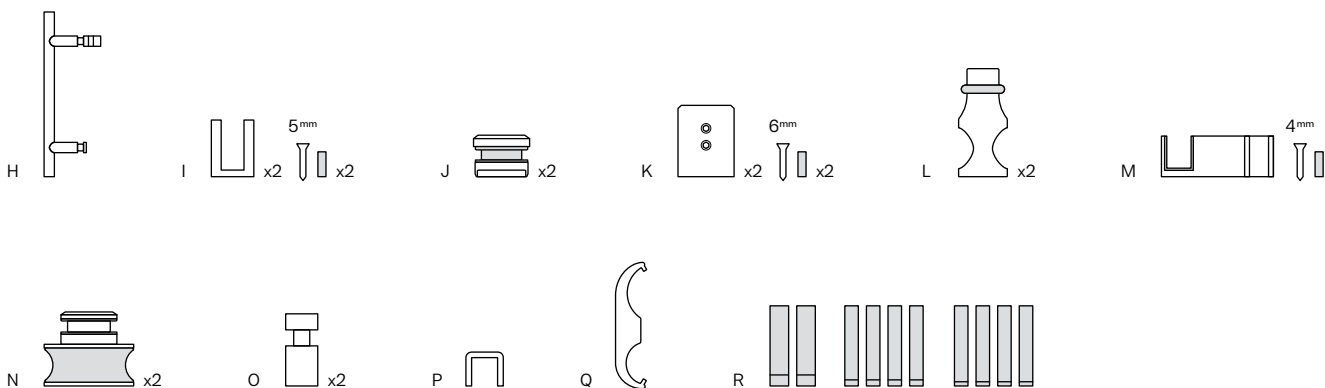
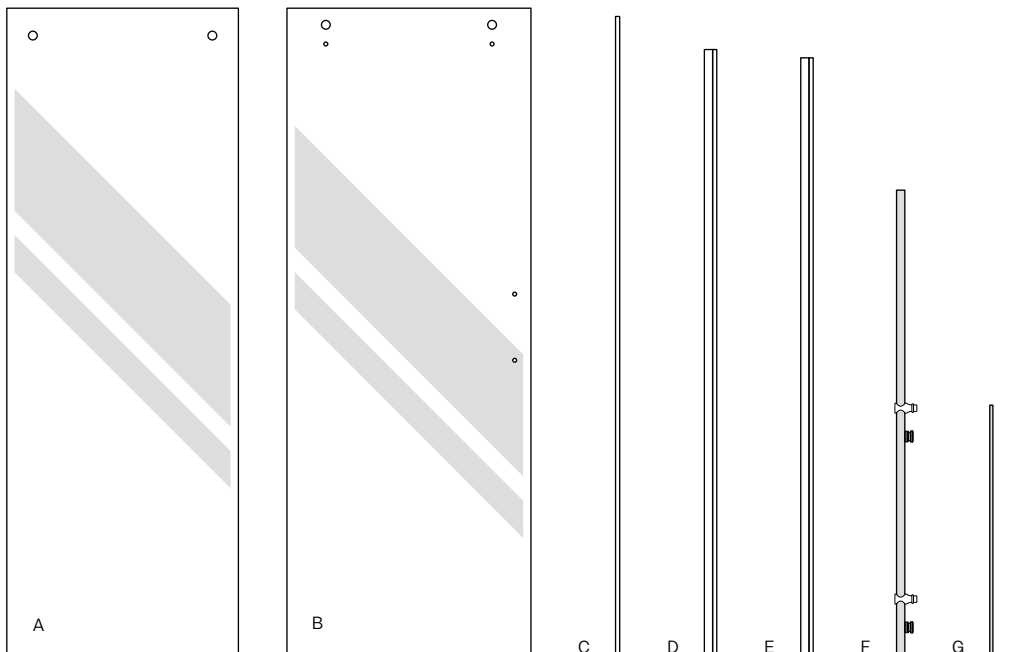


GW-SLD

Shower Enclosure Installation Guide

Eclipse Sliding Shower Enclosure

GLASSWAREHOUSE



Included in your purchase Shipped in 4 separate boxes

- | | | |
|-------------------------------------|---|---|
| A Fixed Panel | H Slider Panel Handle | M Floor Bracket & Screw |
| B Slider Panel | I Fixed Panel Clips, Screws & Wall Anchors | N Slider Panel Rollers |
| C Slider Panel Edge Strip | J Fixed Panel Brackets | O Roller Guides |
| D Slider Panel Weather Strip | K Shower Rod Brackets, Screws & Wall Anchors | P Aluminum Floor Strip Cap |
| E Fixed Panel Weather Strip | L Slider Panel Stoppers | Q Roller Adjustment Tool |
| F Shower Rod | | R Rubber Block set (various sizes) |
| G Aluminum Floor Strip | | |

Thank you for your purchase.

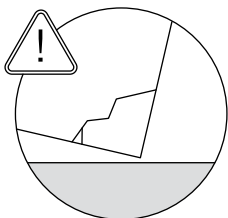
If for any reason you are having trouble with installation, or if the size of the product does not fit your designated space, please contact Glass Warehouse directly and do not return this product to place of purchase. We will be able to exchange the panels or parts to suit your opening.

Glass Warehouse takes pride in providing quality products and customer service. We want to ensure your happiness with your purchase for years to come. We have an extensive range of sizes, so no matter what your measurements are, Glass Warehouse can supply the panel to fit!

If you have any questions, please do not hesitate to reach out to us. Thank you again for choosing Glass Warehouse!

Best Regards,

The Team at Glass Warehouse
Glass Warehouse, LLC
(760) 536 3640
inquiries@glasswarehouse.us

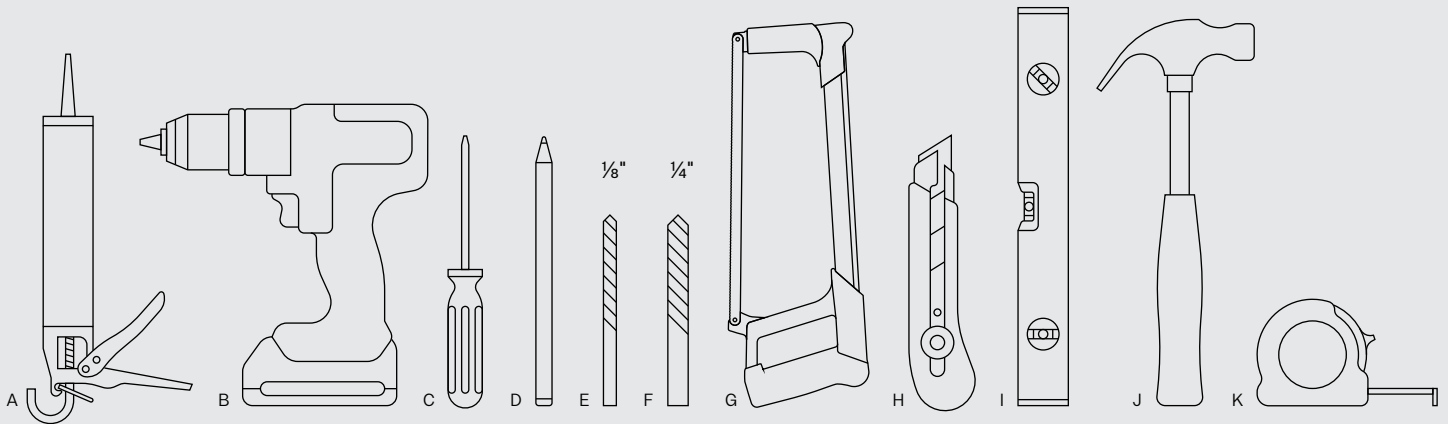


Caution: The most fragile parts of tempered glass panels are the corners. Therefore, it is critical you have the rubber blocks in place so the glass never touches the tile surface you are installing onto. Please make sure the glass is always on cardboard packaging or rubber blocks while out of the packaging prior/during install. Rubber block is provided in your hardware pack however you can use wood, cardboard or other rubber products to protect against breakage.



Attention installer: A light haze or smudging may be present on the coated glass panels upon delivery. This is easily removed with denatured or isopropyl alcohol and a good quality microfiber cloth, followed by a rinse of water. This can be done before or after installation.

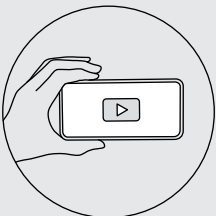
Installation Guide



Tools required for install.

- | | |
|------------------------------------|------------------------|
| A Silicone and caulking gun | G Hacksaw |
| B Power drill | H Utility knife |
| C Phillips head screwdriver | I Level |
| D Pencil | J Hammer |
| E 1/8" tile drill bit | K Tape measure |
| F 1/4" tile drill bit | |

Note: Silicone is not provided and will need to be purchased separately. We recommend using a clear, mold resistant silicone which can be purchased at your local hardware store.



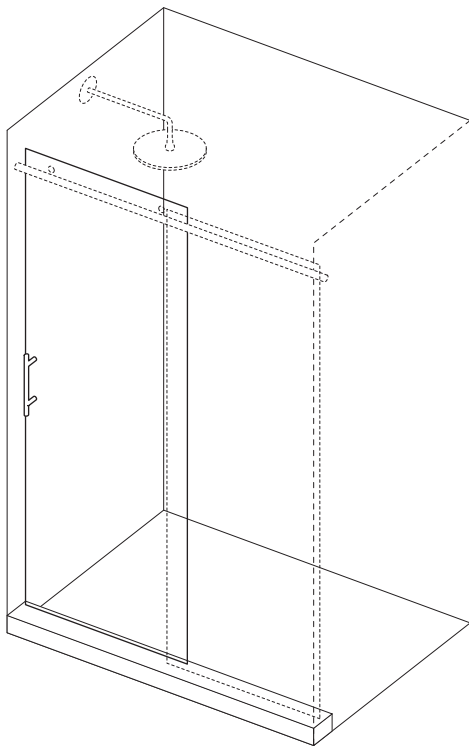
Watch the video: View our animation video to assist your installation of the Eclipse Round Slider Shower Enclosure:

<https://vimeo.com/386354877>

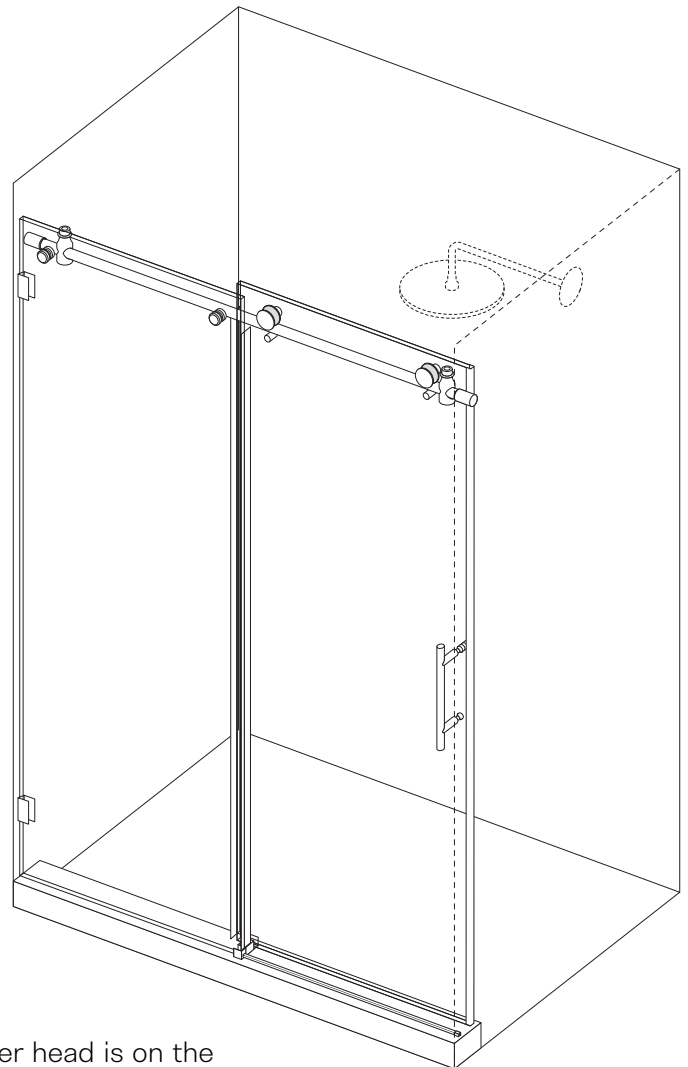


Before You Start

- Confirm that you have the correct model size. See table below to insure that the model you received will fit your shower opening.
- Choose which side of your shower to install the Slider Panel (Sliding Door): Glass Warehouse highly recommends installing the sliding shower door on the same side as your shower head. This will help to prevent water leaking from the gap between the two glass panels.



If your shower head is on the left, the Slider Panel should be installed on the left side.

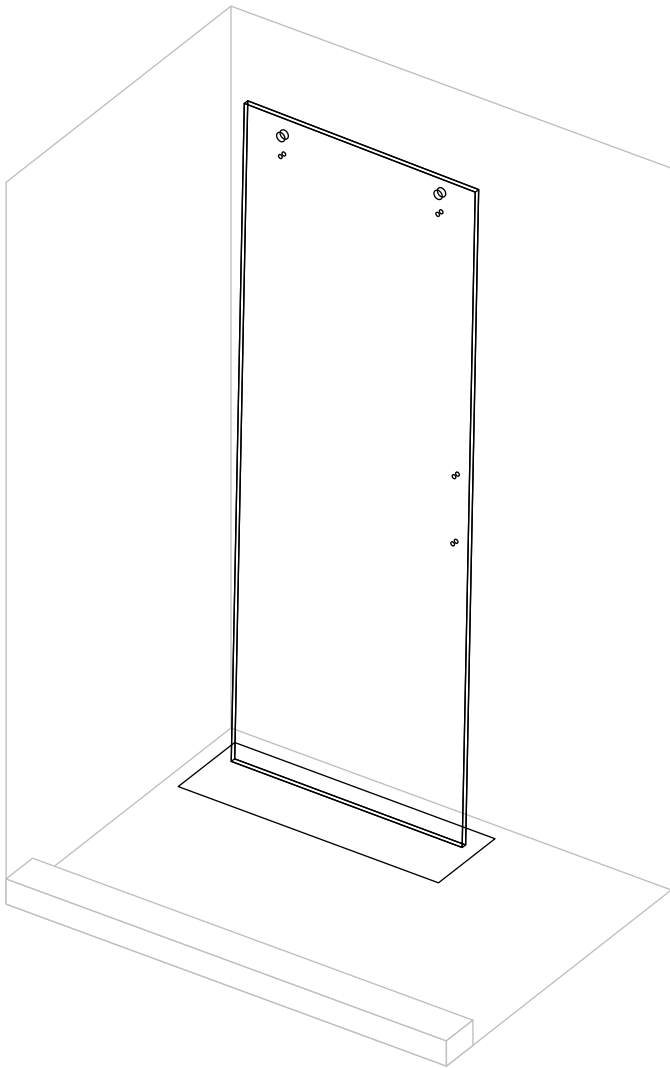


If your shower head is on the right, the Slider Panel should be installed on the right side.

Confirm you have the correct model size.

Model numbers and corresponding size range:

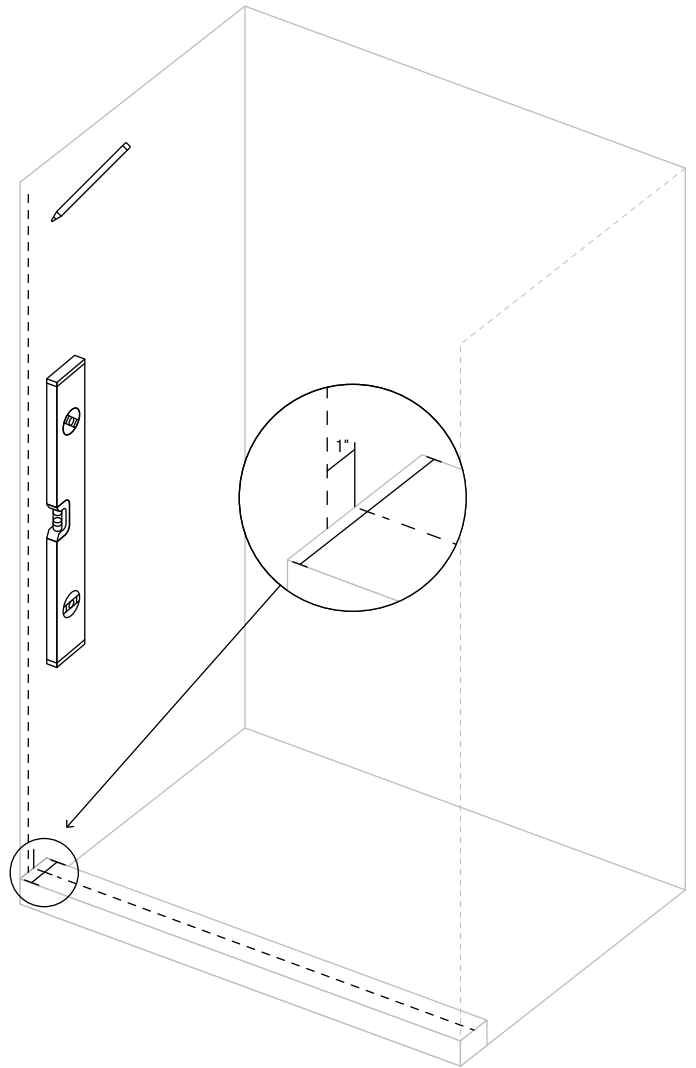
GW-SLD-48 = 44" - 48"	GW-SLD-64 = 60" - 64"
GW-SLD-52 = 48" - 52"	GW-SLD-68 = 64" - 68"
GW-SLD-56 = 52" - 56"	GW-SLD-72 = 68" - 72"
GW-SLD-60 = 56" - 60"	



01

Place Slider Panel inside shower.

Before starting the installation process, place Slider Panel inside the shower on cardboard to protect the bottom of door. Be sure to face handle holes toward wall door closes to. This will make it easier for installation at later stage once fixed panel and bar has been set in place.

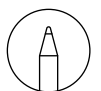


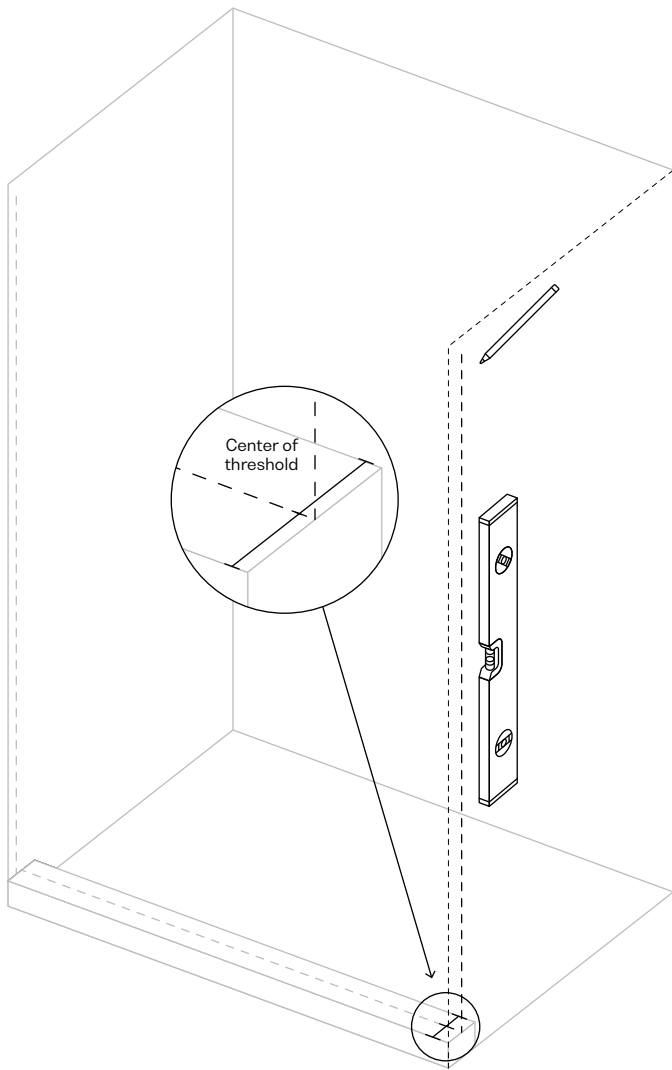
02

Mark the threshold and Fixed Panel wall.

Measure the width of threshold tile where shower door is to be installed, this needs to be a minimum of $2\frac{3}{4}$ " to install this model shower enclosure. On the wall where the Fixed Panel is to be placed, measure to the center of the threshold tile. From here measure towards the outer edge of the threshold 1" and mark the wall with a pencil. Using a level, draw a line up the wall at this point.

Tip: We recommend using a pencil so this can be easily removed.

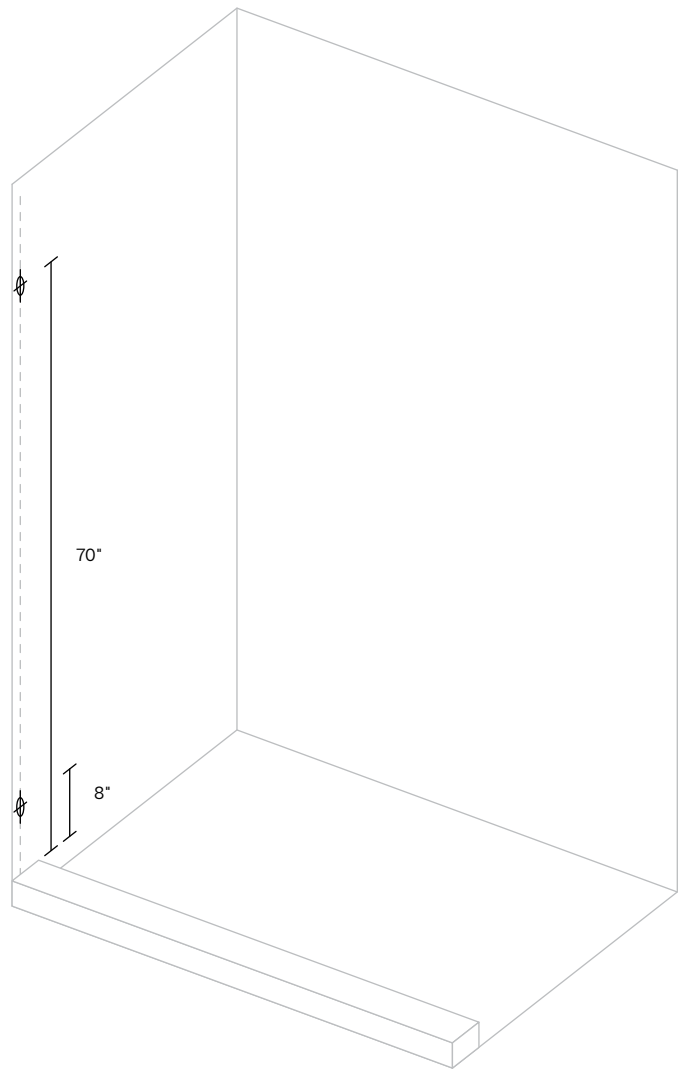




03

Mark the vertical line on Slider Panel wall.

On the opposite wall where the Slider Panel will close towards, measure to the center of the threshold tile and draw a vertical line using a level. This line will be a guide to install the Shower Rod



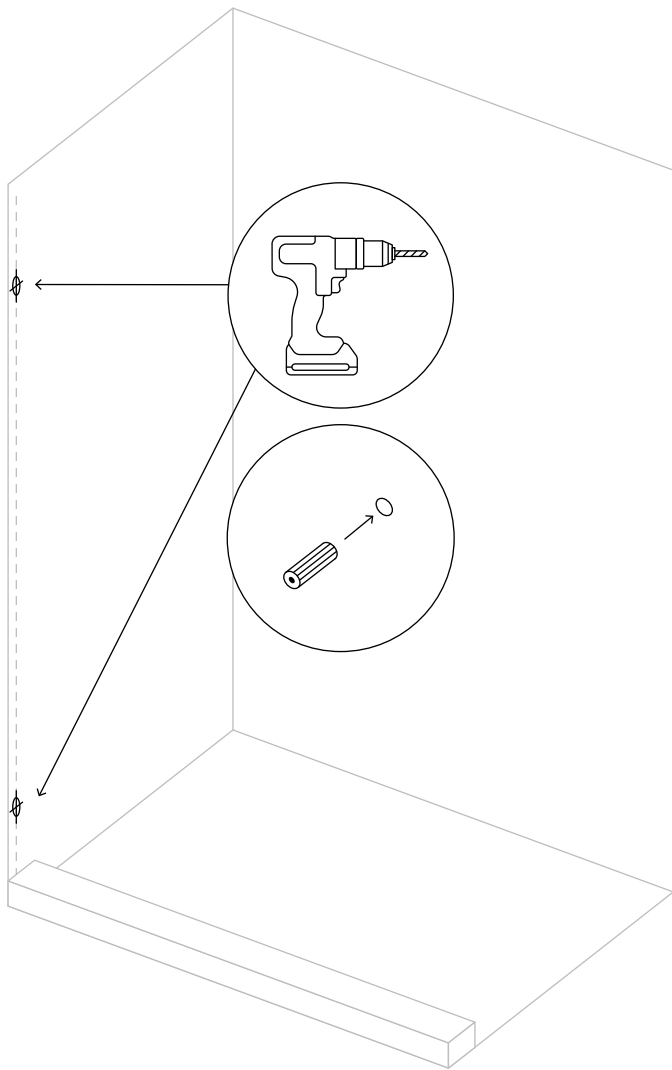
04

Mark the holes to drill on Fixed Panel wall.

Along the drawn level line, mark 8" and 70" from floor.

Important: There is a stamp on the corner of all Glass Warehouse glass panels to certify it is tempered safety glass. We recommend installing the Fixed Panel with the stamp in the corner closest to the wall. Note: the stamp is baked on during the tempering process and cannot be removed.

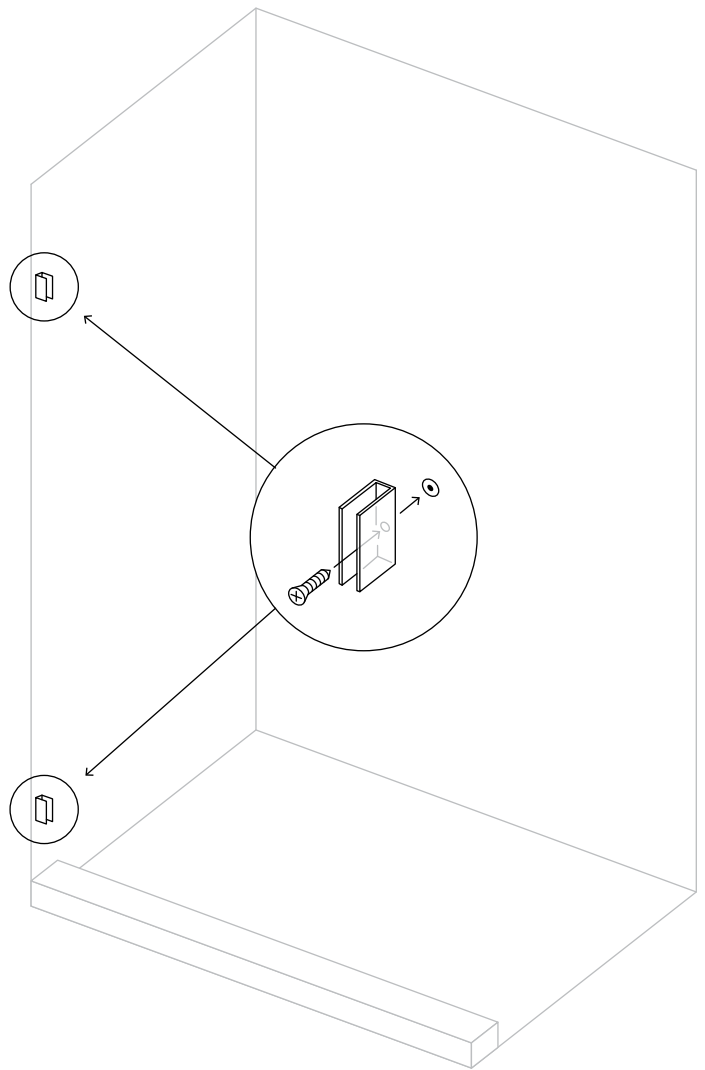




05

Drill the holes for Wall Clips.

Using a ¼" drill bit, drill holes and install the wall anchors. Trim excess from the wall anchors hanging out of hole with utility knife so your clips can sit flush to wall.



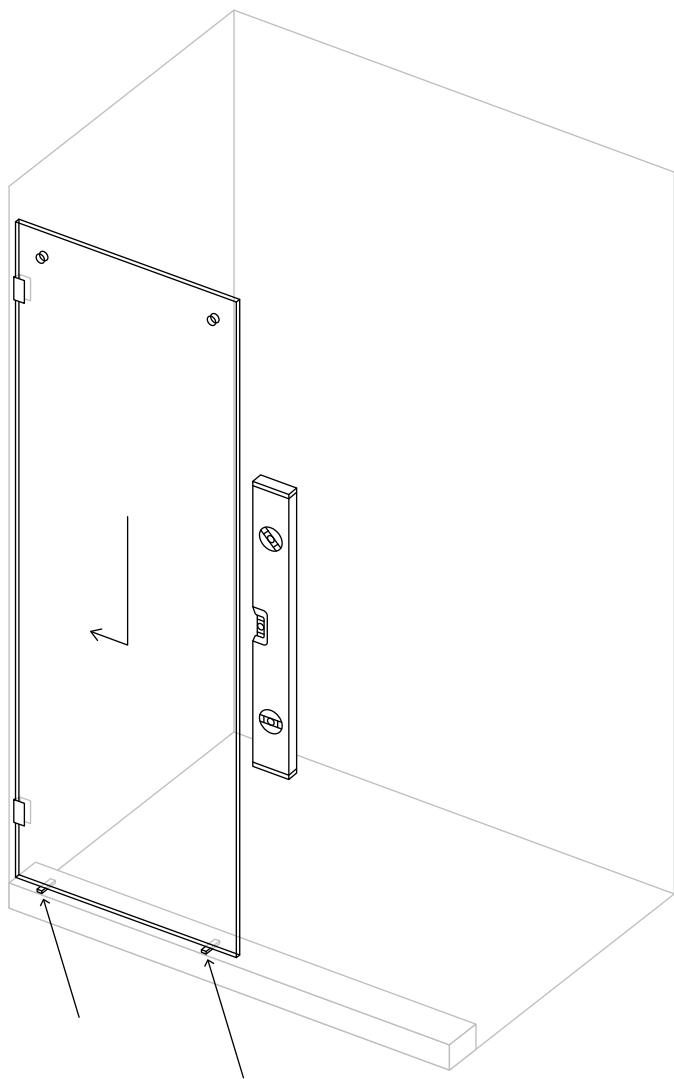
06

Install Fixed Panel Wall Clips.

Place Wall Clips over holes and drill screws into wall anchors to secure clips. Make sure these are securely tightened.

Important: Installer can use a ⅛" tile drill bit to create pilot holes, but this is optional.



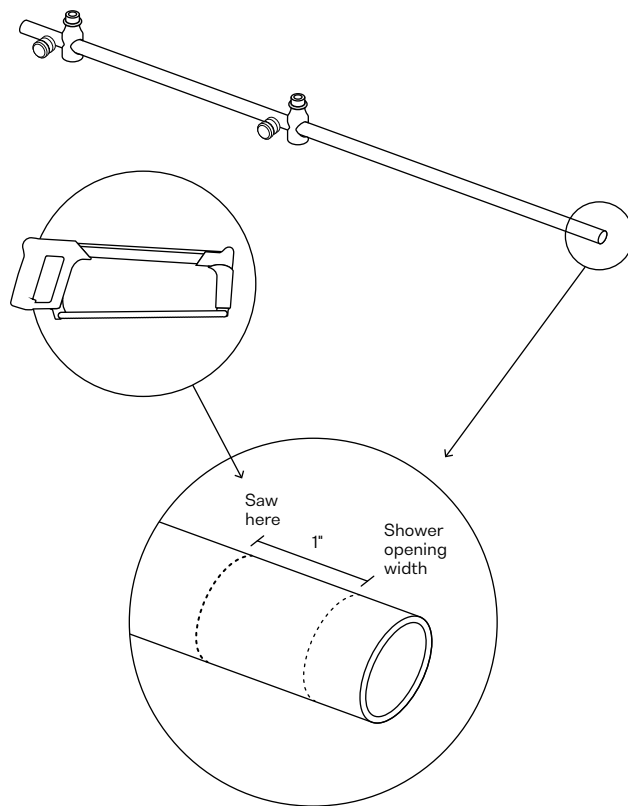


07

Set the Fixed Panel in place.

Measure the width of the Fixed Panel and place the 1/8" thick Rubber Blocks provided 3" in from each end where the glass panel will sit on the tile/threshold. Gently place the glass panel down on the Rubber Blocks and slide glass into the Wall Clips. Check to make sure the glass is level. If not, adjust by adding thinner 1/16" Rubber Blocks to the blocks already on floor. Once level, tighten the grub screws very tight on the Wall Clips.

Tip: Use additional Rubber Blocks on either existing blocks to raise/drop the fixed panel if required.



08

Measure and cut Shower Rod.

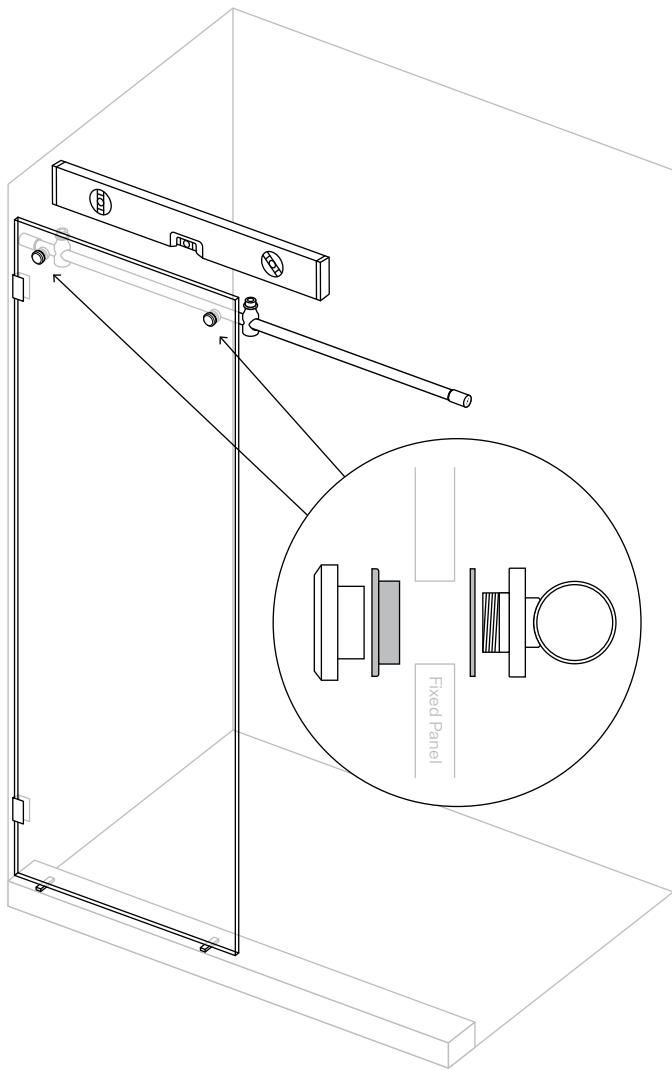
Important: You must cut rod at opposite end from the Fixed Panel brackets.



Measure your opening width. Subtract 1" from this measurement and then measure out this distance on the Shower Rod. For example: If your opening measurement is 47" your rod length should be 46". Use a hacksaw and cut your Shower Rod to the correct length.

Model numbers and corresponding size range:

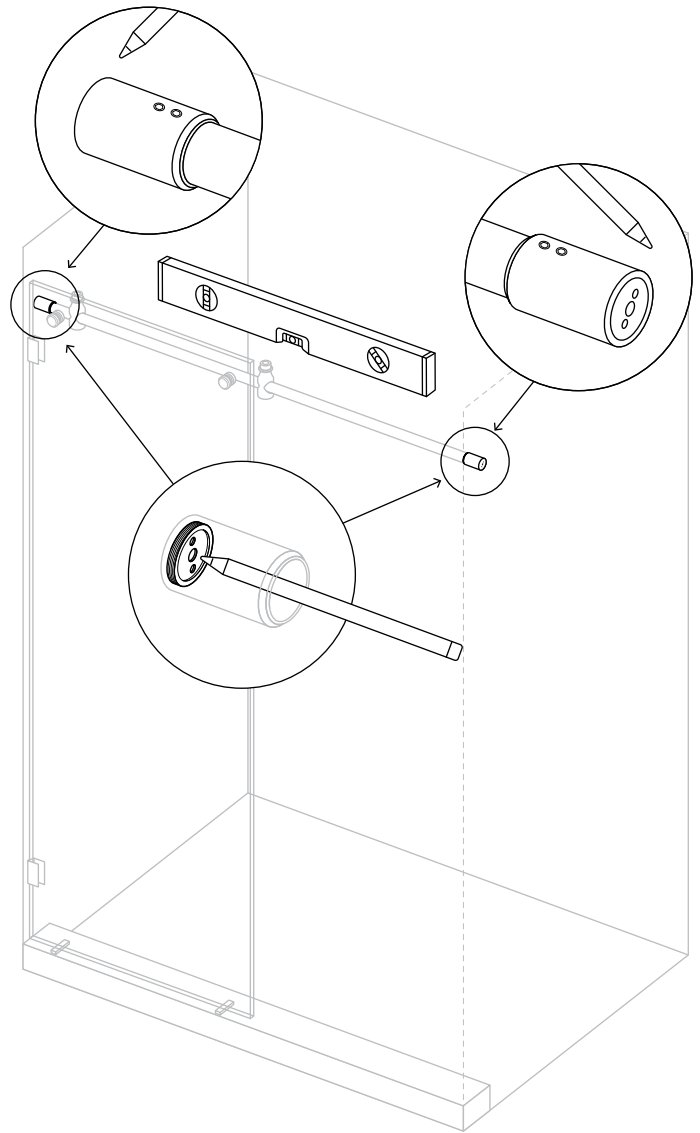
GW-SLD-48 = 44" - 48"	GW-SLD-64 = 60" - 64"
GW-SLD-52 = 48" - 52"	GW-SLD-68 = 64" - 68"
GW-SLD-56 = 52" - 56"	GW-SLD-72 = 68" - 72"
GW-SLD-60 = 56" - 60"	



09

Install the Fixed Panel Brackets on Shower Rod.

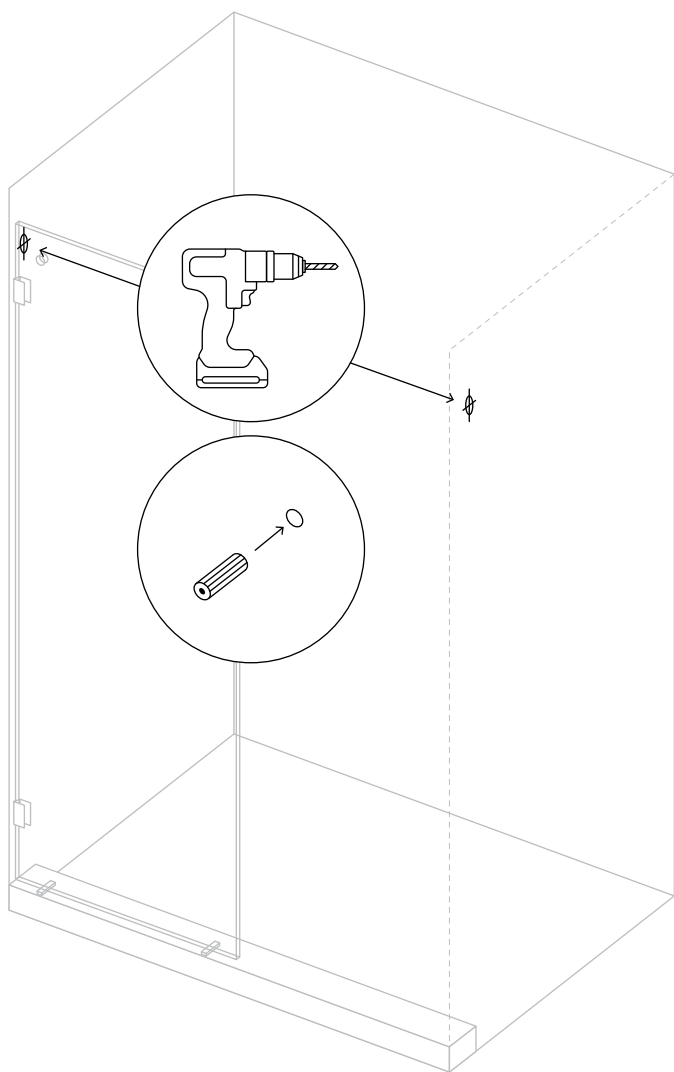
Install the brackets on Shower Rod into the holes on the Fixed Panel. If the brackets do not line up perfectly with the holes in the glass, you can loosen the allen bolt on the bracket to adjust it side to side to suit the holes in the glass.



10

Level Shower Rod and mark holes to drill.

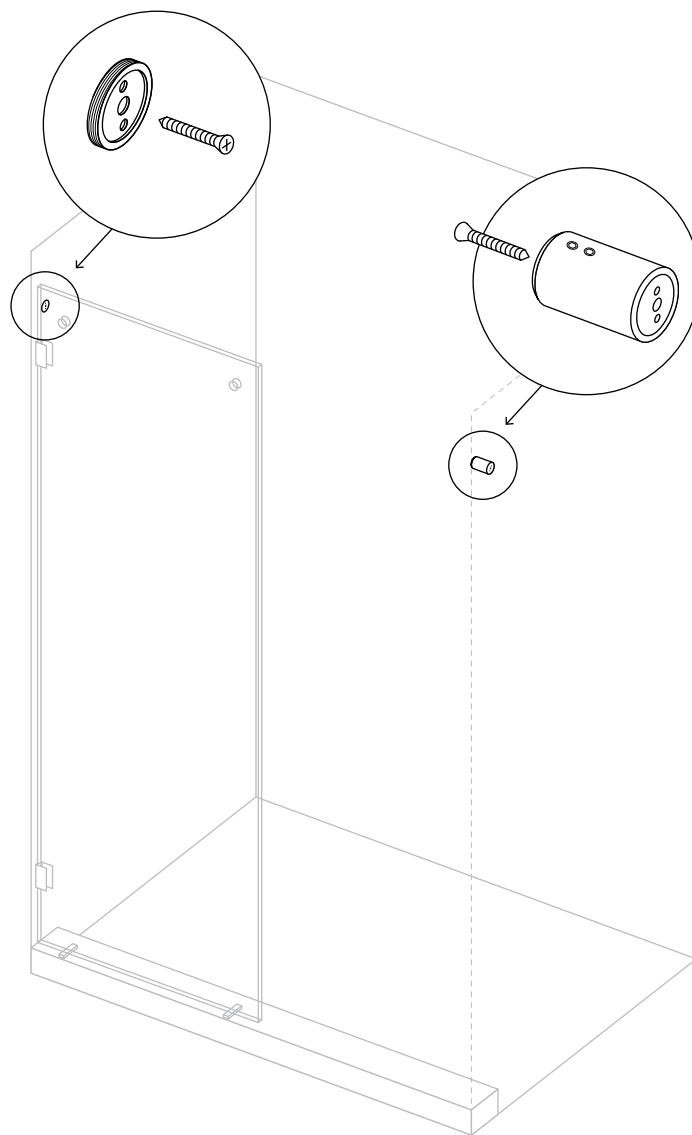
Using a level, check Shower Rod is perfectly level from one wall to the other. Once in correct position mark the placement of Shower Rod Brackets on wall and uninstall rod from glass panel. Remove one of the wall brackets from rod and mark the holes to be drilled on each wall.



11

Drill holes for Shower Rod Brackets.

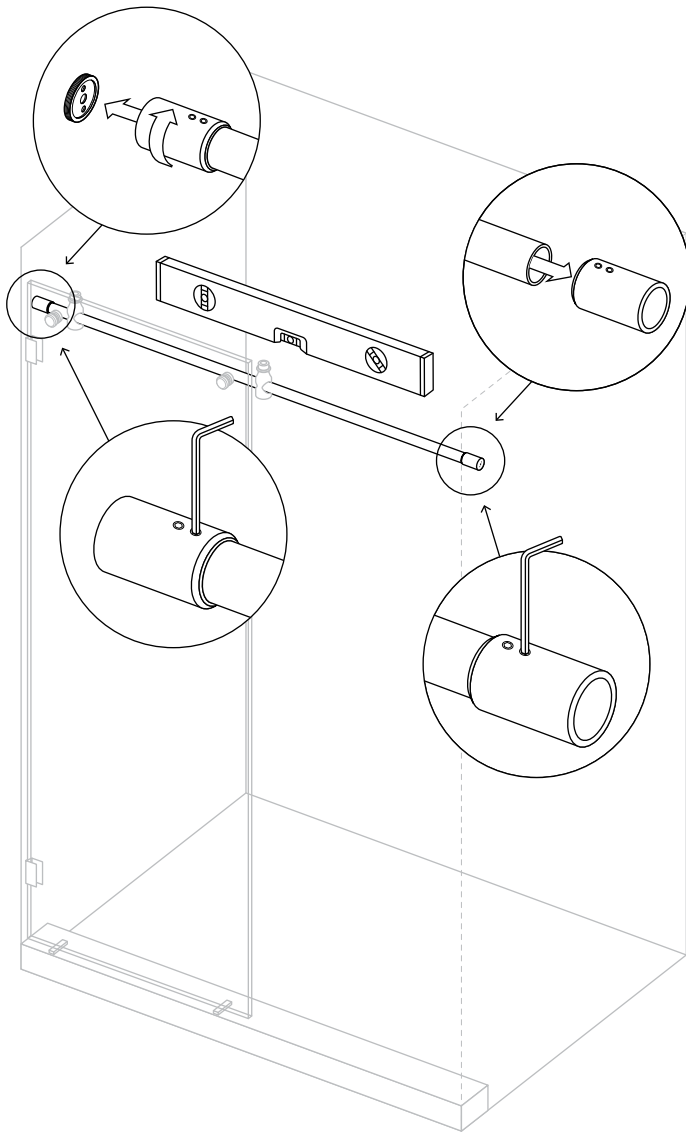
Using 1/4" drill bit, drill holes and install wall anchors. Trim excess from the wall anchors hanging out of hole with utility knife.



12

Screw in flat fixing piece and Shower Rod Bracket.

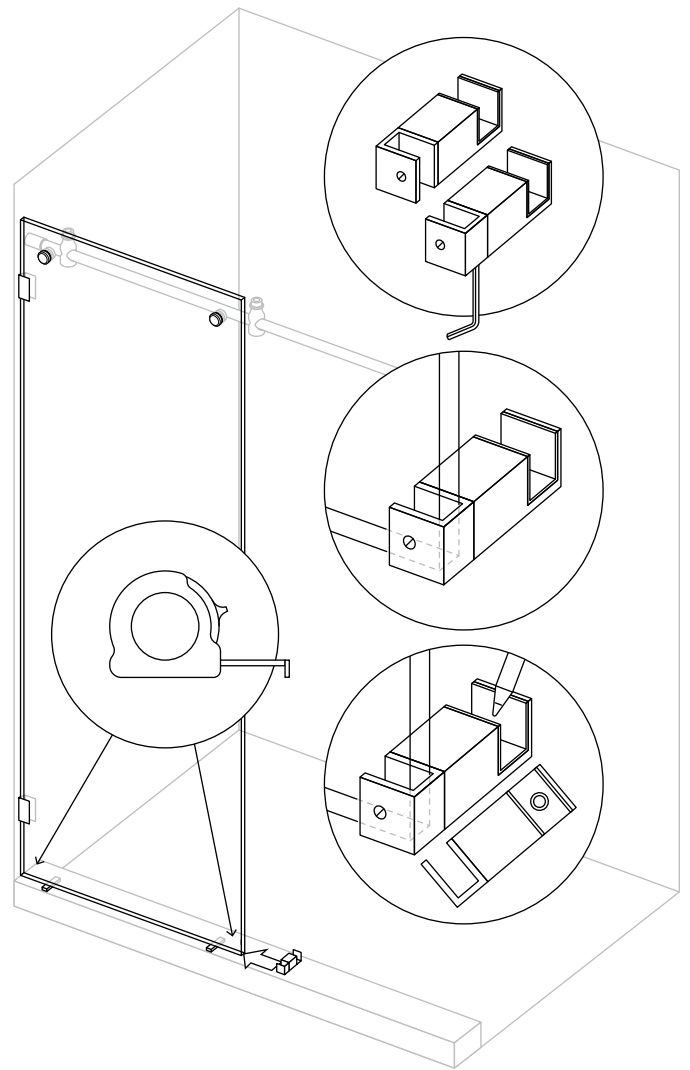
On Fixed Panel side wall install only the round flat fixing piece unscrewed from Shower Rod Bracket with rest of bracket remaining on rod. On the Slider Panel wall install the complete bracket. This allows you to slide the rod into one whole bracket and then screw remaining bracket on opposing wall.



13

Complete Shower Rod install.

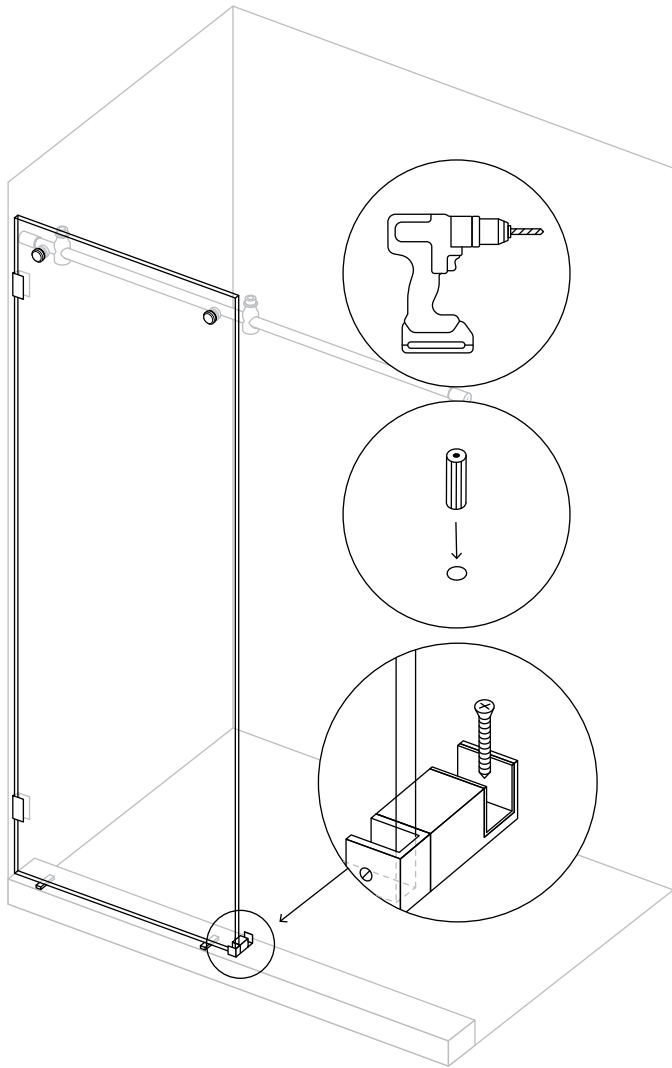
Re-check the rod and Fixed Panel are level then tighten the screws on Shower Rod Brackets and on Fixed Panel Wall Clips very tight.



14

Set Fixed Panel into Floor Bracket and mark hole.

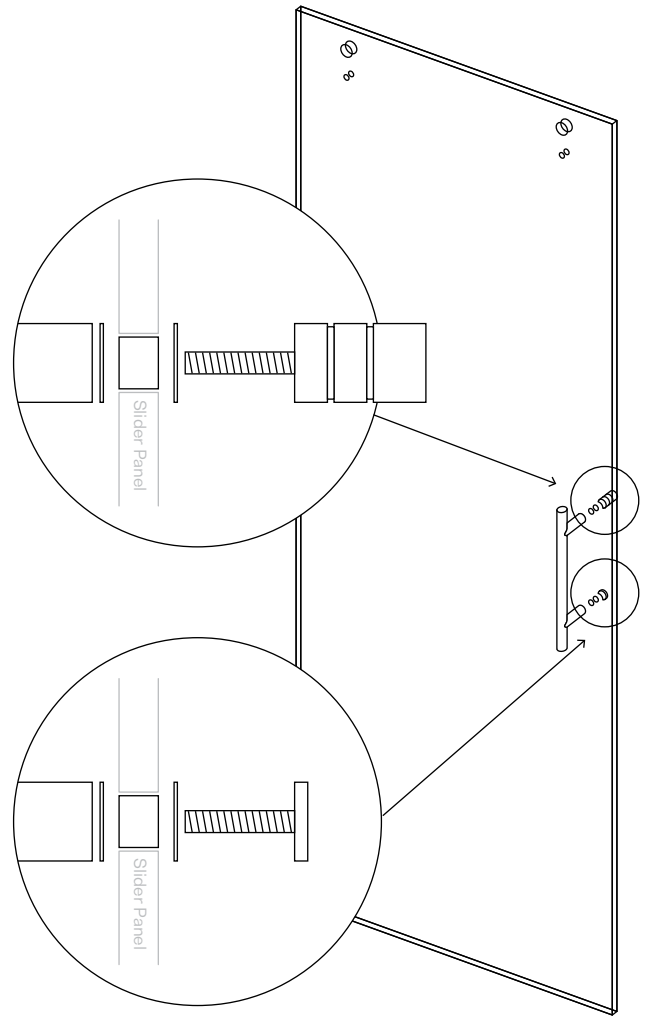
Make sure both of the bottom corners of the Fixed Panel measure the same distance from the front of the threshold tile (or fiberglass pan). Check panel is level again. Loosen allen screw on bottom of Floor Bracket and rotate adjustable end which fits on Fixed Panel for either left or right installation. Mark hole to drill for Floor Bracket. Remove Floor Bracket before drilling.



15

Drill hole, install anchor and install Floor Bracket.

Using a ¼" drill bit, drill hole and install anchor (if necessary). Trim excess from the anchor with utility knife. Fill this hole with a little bit of silicone to waterproof. Reinstall Floor Bracket, making sure that the plastic insert is in place inside Floor Bracket. Screw Floor Bracket down to secure.




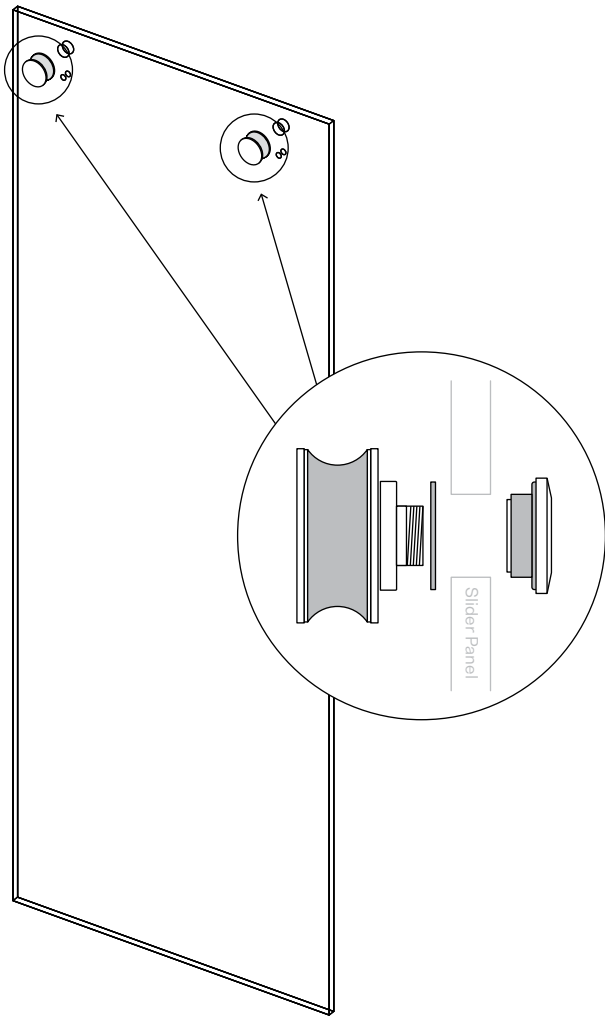
16

Install Sliding Panel Handle.

Carefully install the Slider Panel Handle on the Sliding Panel. Be sure that Slider Panel is sitting on folded cardboard to avoid cracking or chipping.

Important: When fixing floor clamp to fiberglass shower base use a ⅜" drill bit to pre-drill the hole and screw directly into shower base. You will not use the green anchor on shower base.

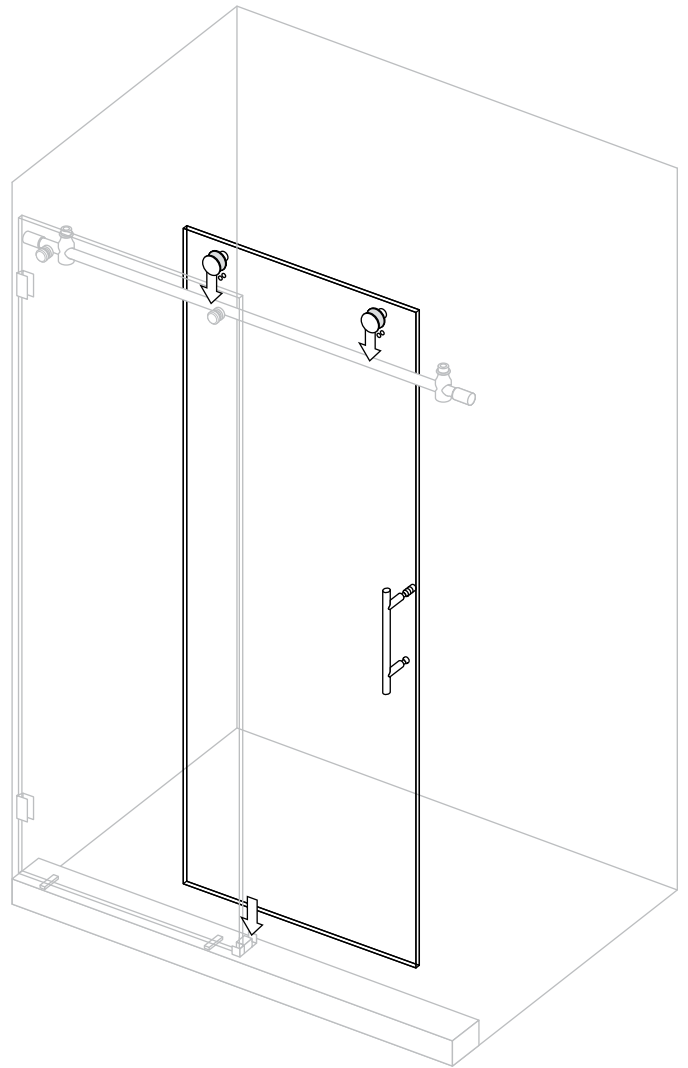




17

Install Sliding Panel Rollers.

Carefully install the Slider Panel Rollers on the Slider Panel. Be sure that Slider Panel is sitting on folded cardboard to avoid cracking or chipping.



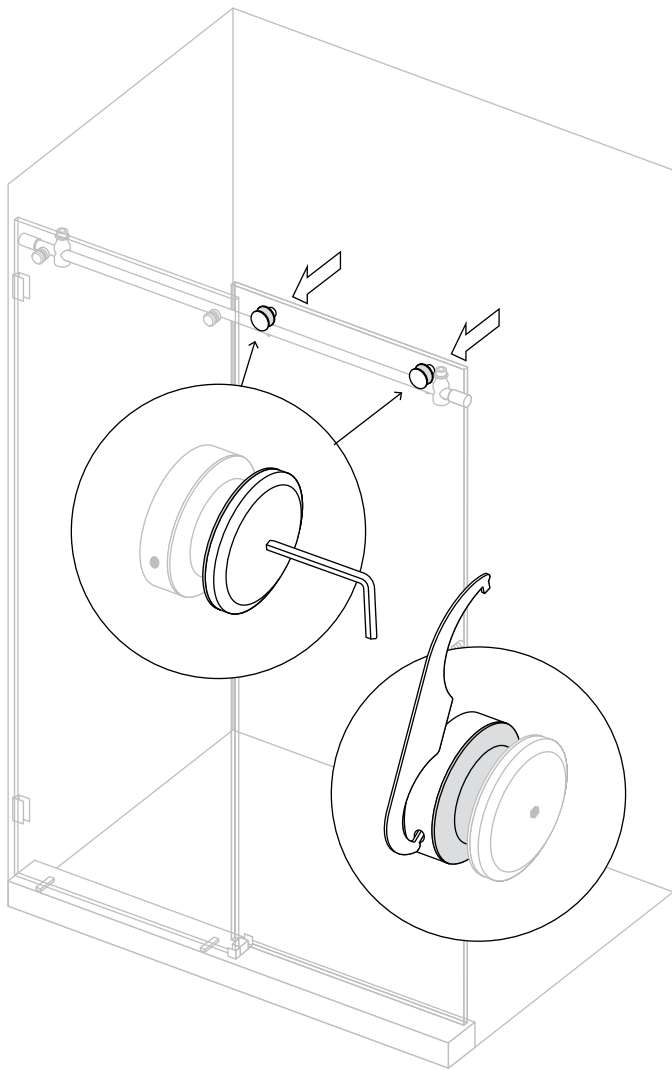
18

Install the Slider Panel.

Lift the door and slowly lower the rollers onto the shower rod. When lowering the panel be sure the bottom of Slider Panel slides into the floor bracket.

Important: Gently slide door from side to side making sure it is not binding anywhere along the bottom. Check the door is level and lines up evenly with the wall.w



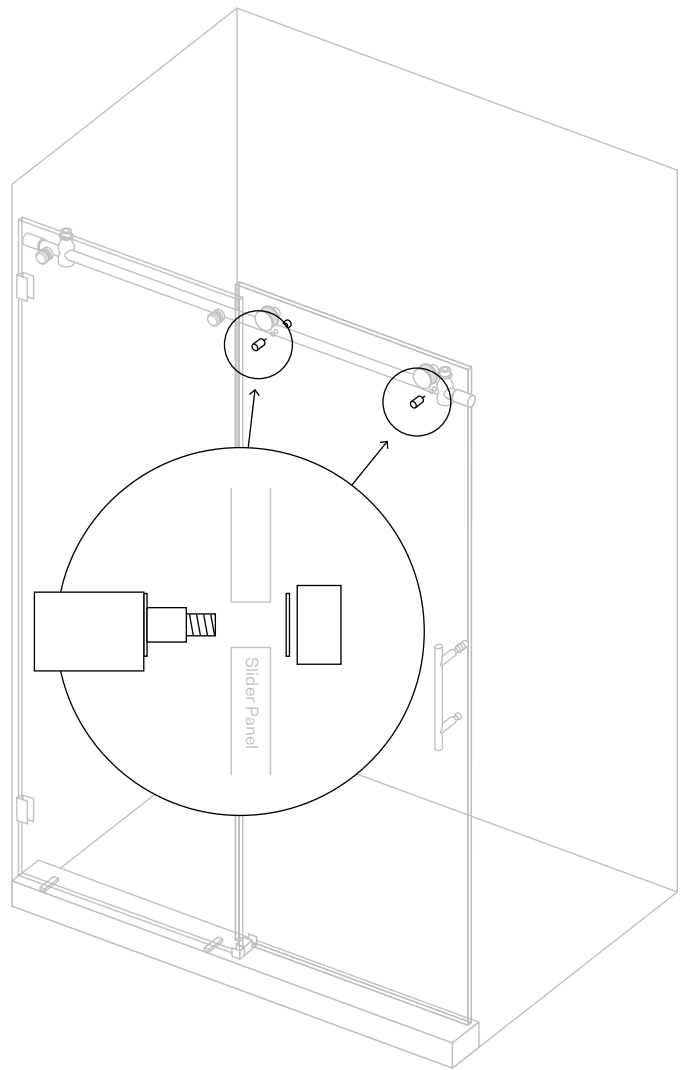


19

Level and adjust Slider Panel Rollers.

If Slider Panel is not level when hung from Rollers you can use the Roller Adjustment Tool to level it up.

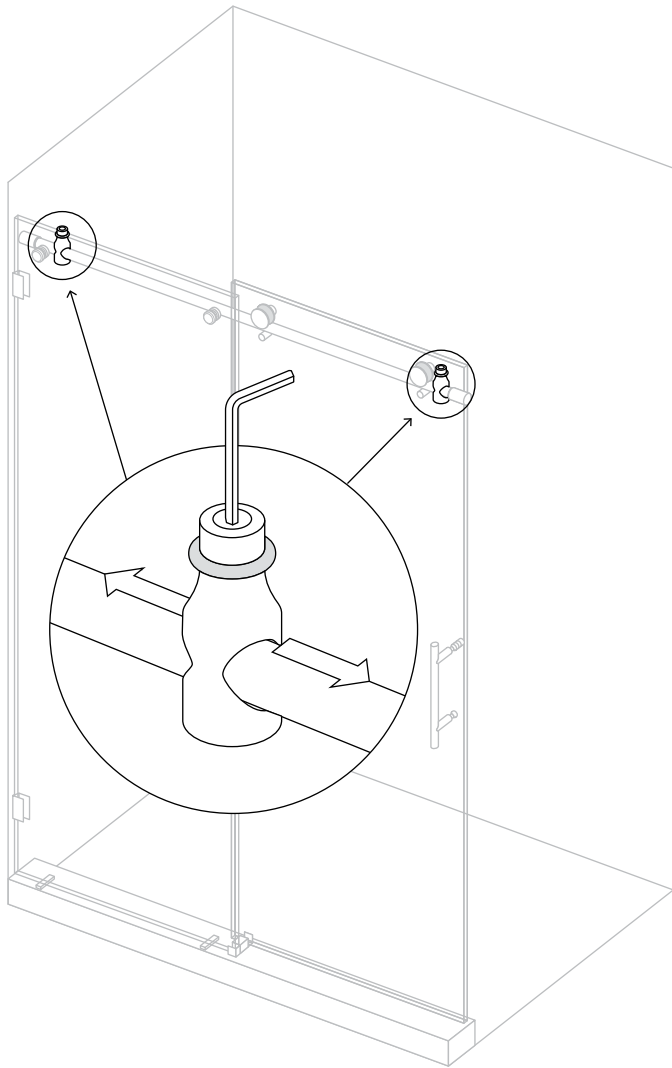
Slightly loosen the Allen bolt on back of Roller. Insert Roller Adjustment Tool into the hole on the edge of the roller backing plate and turn it to adjust level. Once Slider Panel is level, tighten Allen bolt on back of Roller.



20

Install the Roller Guides.

Install Roller Guide clips on Slider Panel to prevent the door from being able to come off rollers. Make sure there's no more than a 1/16" gap between the guides and the Shower Rod. The Roller Guides need to be almost touching the Rod to insure that the sliding door is completely secure.



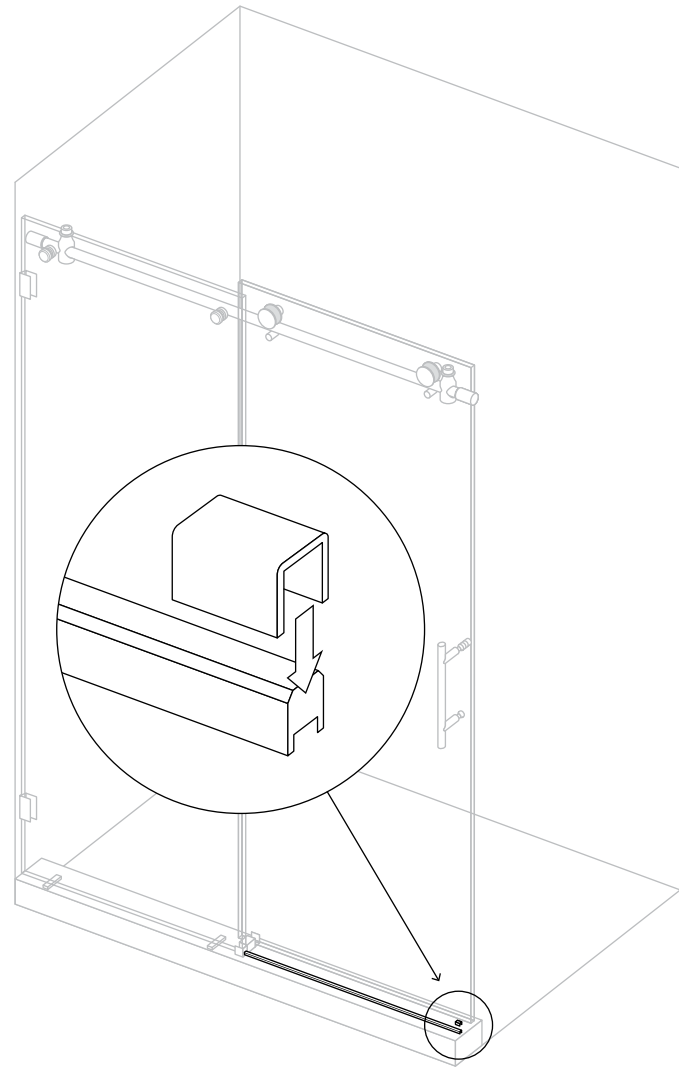
21

Adjust Slider Panel Stoppers.

Important: Slide door gently when testing door stops so as not to damage the door or the fixed panel.



Adjust location of Slider Stoppers on Shower Rod to ensure the Slider Panel does not hit the wall and the Slider Panel Handle does not touch the Fixed Panel.

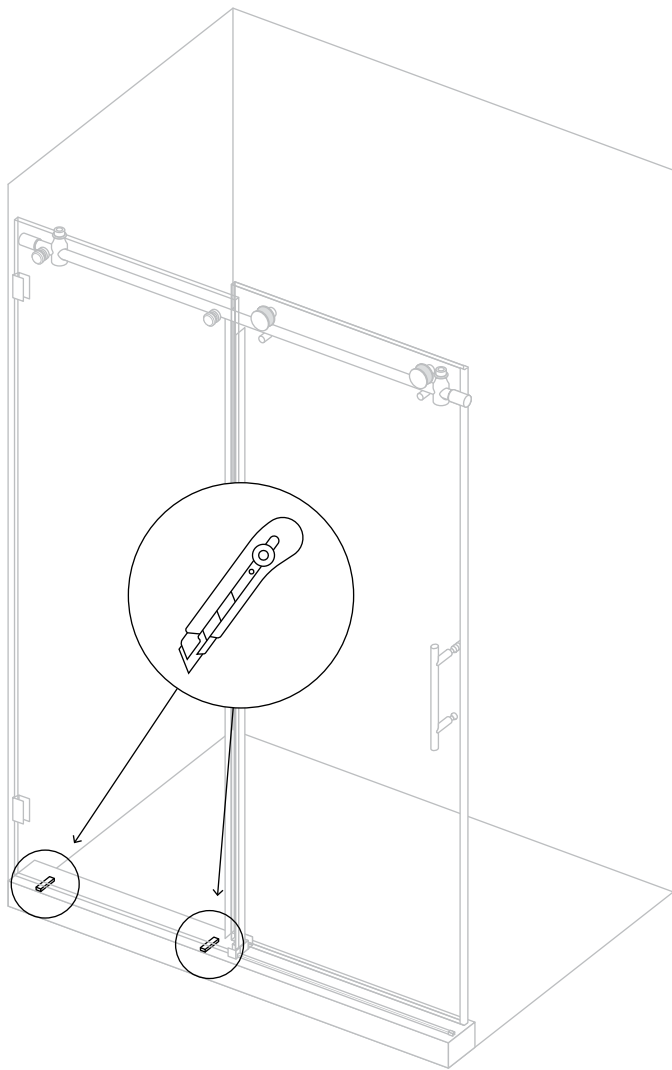


22

Install Aluminum Floor Strip and optional Cap.

Install Aluminum Floor Strip to prevent water leakage. Measure distance from Floor Bracket to wall and cut Aluminum Floor Strip to fit. Apply a small bead of silicone under strip for waterproofing and set in place. If Aluminum Floor Strip is cut slightly short, apply a small bead of silicone under Aluminum Floor Strip Cap and place on top of cut end of Aluminum Floor Strip as close to the wall as possible.

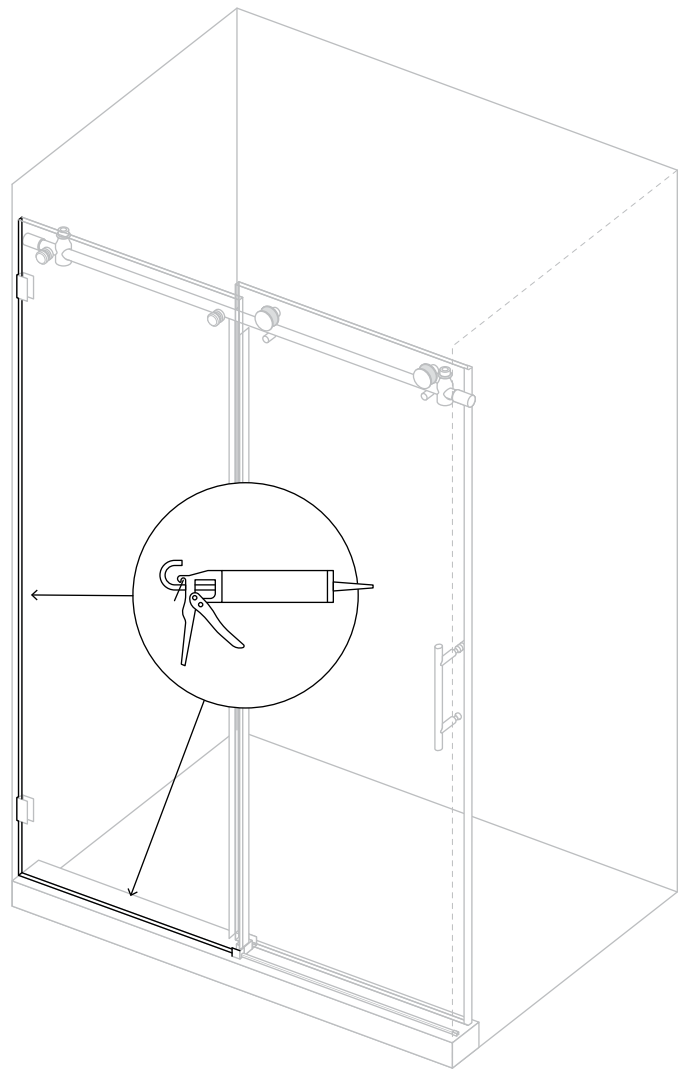
Tape aluminum strip to floor surface using masking tape and allow to dry for 24 hours.



23

Trim Rubber Blocks.

Trim the Rubber Blocks under the Fixed Panel with a utility knife so that they are flush with the glass panel resting on top of them.



24

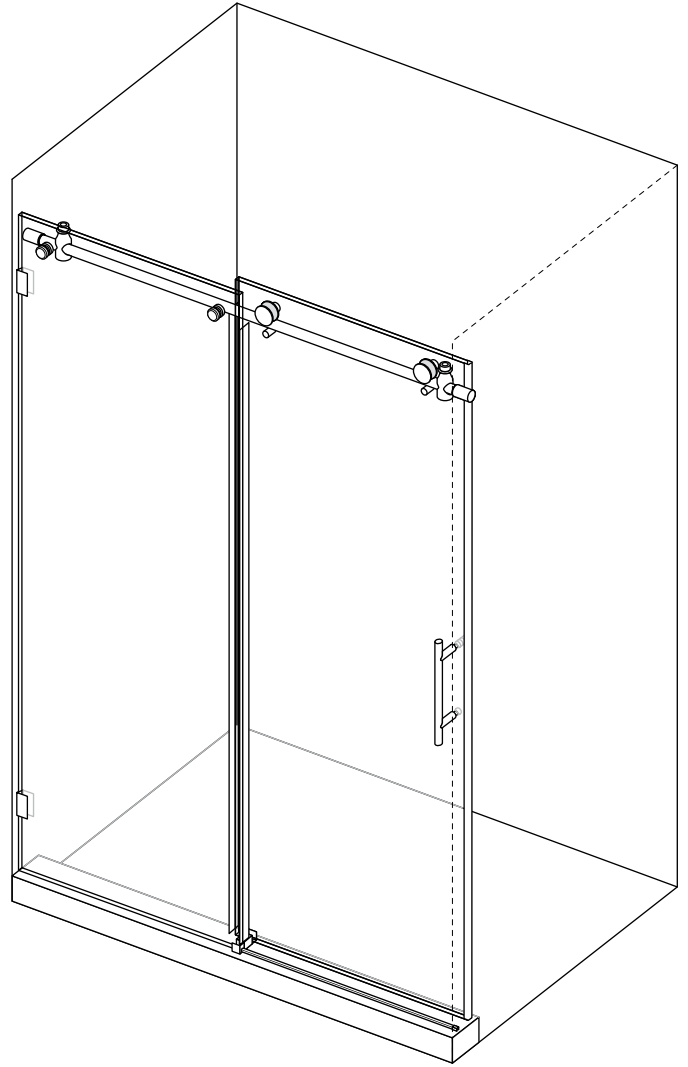
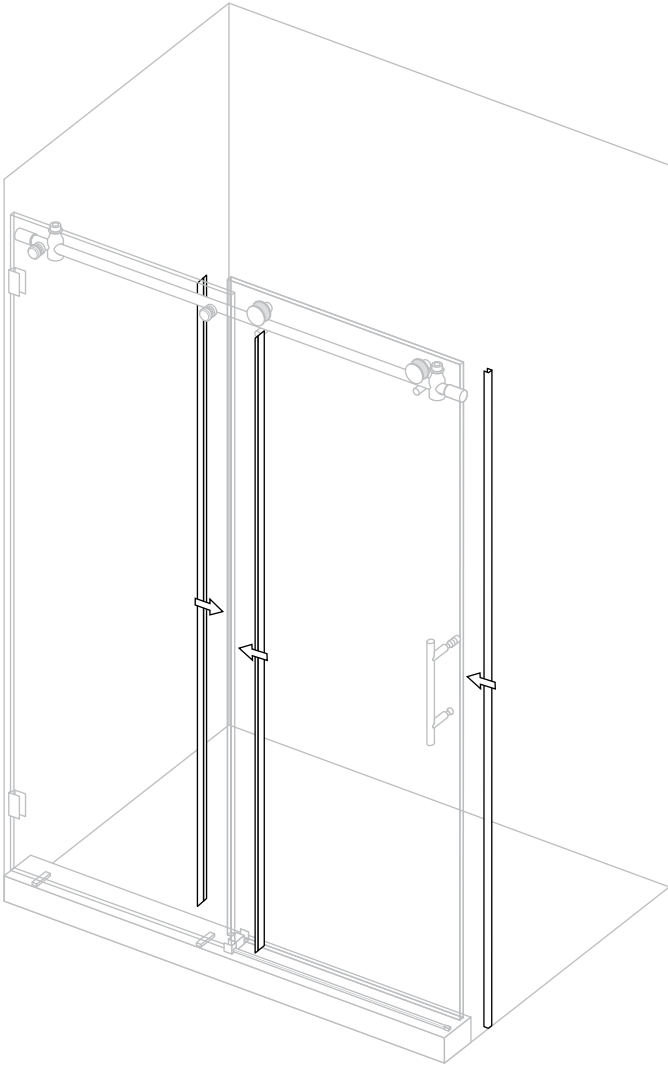
Apply silicone to seal Fixed Panel.

Apply silicone around the wall and floor surface of the Fixed Panel. You need to silicone both the inside and outside edges ensuring the gap between glass and tile is completely sealed.

Once sealed, spray the silicone with water and use a spatula (available in our Install Kit) to remove any silicone residue.

Important: It is critical that the silicone is given 24 hours to set and cure.





25

Install Weather Strips.

Install the plastic weather strip on panels. The shortest Weather Strip goes on the edge of the Fixed Panel. The longest piece goes on the outer edge of the Slider Panel near the handle. The mid-length piece goes on the inside of the Slider Panel.

Once silicone has cured, you're done!

Please register your warranty using the instructions on the back cover of this document.

Care & Maintenance



EnduroShield makes cleaning easier and less frequent; however it is recommended that you continue to clean the surfaces regularly.

Maintaining the Treated Surface

For best results simply drying the glass with a squeegee or towel after each use will help keep the glass clean and reduce mineral spots forming. The glass needs to be cleaned every few weeks using a damp microfiber cloth and a mild detergent to break down soaps, oils, and conditioners on the glass. General glass cleaners are also suitable, however most of these are finishing agents rather than cleaners, and are an added expense that is not required.

Hard Water Maintenance

In hard water areas, or areas where water drops dry and leave a noticeable dust mark, a build of minerals may occur on the protective treatment. While these may not be removed as easily with the mild detergent, mild acids will often remove the marks quickly. As needed white vinegar should be used to wipe down the glass. Keep in mind the vinegar may be diluted with water, however dilution reduces the effectiveness.

Spray vinegar onto the glass and allow to soak for several minutes. This should dissolve any mineral deposits that have built up on the glass surface. A damp microfiber cloth should then be used to wipe over the surface. For extreme hard water areas we recommended using undiluted vinegar every week or so as a cleaning option to reduce this build up on the surface, rather than allowing the build up to continue over a long period of time.

Caution: Prohibited Products *Note these may damage the treatment and void any warranty

- Avoid the use of any abrasives or polishes including water spot removers, toothpaste, polishes, rough, or gritty substances
- Avoid the use of acids or alkalis that you would not want in contact with your skin for an extended period of time
- Avoid products such as Comet, Ajax, Jiff or Cerium Oxide which polish back the actual substrate
- Avoid the use of any harsh or chemical cleaners, with correct maintenance these are never required

Approved Cleaning Products

The below products have been tested for compatibility with EnduroShield, however there are no specific products that must be used. We feel you should not be required to purchase extra products in order to keep your glass clean. With correct maintenance, all you need for clean glass beyond 10 years is a squeegee, a mild liquid dish soap, and white vinegar.

Any product that does not fall into the prohibited categories listed above will be fine, and below is a short list of acceptable products:

- Windex
- SprayWay (or other alcohol based foaming cleaners)
- Scrubbing Bubbles (or other automatic leave-to-dry daily shower cleaners)
- 7th Generation, Dawn (or other mild eco friendly cleaners)
- CLR (Calcium Lime Rust)
- Mr. Clean Magic Eraser (when damp)

It should be noted that with any cleaner used on the EnduroShield surface a thorough rinse with clean water should follow immediately. Although these cleaners can be used, EnduroShield is designed to be an 'easy clean coating' that does not require harsh or toxic cleaning chemicals to maintain the surface effectively.

If for any reason the recommended maintenance has not been followed for some time, just as it took time for the build up to occur, it will take time to remove the debris from the protected glass surface. This can most commonly be achieved using undiluted white vinegar dampened on a Magic Eraser, or CLR on a Magic Eraser. Depending on the severity of the build up this may take multiple attempts, but once the glass is clean again it will perform like new. Should you have any queries regarding the cleaning of your treated surfaces please contact EnduroShield.

tel: 805 617 4609
email: salesusa@enduroshield.com
www.enduroshield.com



Featured Model: Kira

GLASSWAREHOUSE
GLASSWAREHOUSE.US



Reflect on a New Look

Explore our complete range of accent mirrors to compliment your new shower. Choose from many different styles, finishes, and options to give your bathroom that extra bit of style.

Exclusive Limited Warranty Terms & Conditions.

This warranty is effective as of JANUARY 1, 2019 on all Glass Warehouse product purchases

PLEASE READ GLASS WAREHOUSE WARRANTY TERMS AND CONDITIONS BEFORE INSTALLING YOUR GLASS WAREHOUSE PRODUCT. BY USING THE PRODUCT, YOU ARE CONSENTING TO BE BOUND BY THE FOLLOWING WARRANTY TERMS AND CONDITIONS

Glass Warehouse offers the following warranty for its products and components thereof. This warranty extends only to the original owner/end-user for household use only and is not transferable to a subsequent owner. Glass Warehouse reserves the right to modify this warranty at any time, it being understood that such modifications will not alter the warranty conditions applicable at the time of sale of the products in question. This warranty extends for a designated period of time, so long as the product remains in use in its original place of installation and that the product must be maintained as described in the owner's manual supplied with the product. This warranty applies only to Glass Warehouse® products purchased from an authorized dealer in the United States or Canada.

Proof of purchase (original sales receipt) from the original consumer purchase must be provided with all warranty claims. No responsibility is assumed by Glass Warehouse for any special, incidental or consequential damages. **IN NO EVENT SHALL THE LIABILITY OF GLASS WAREHOUSE EXCEED THE PURCHASE PRICE OF THE UNIT.**

Glass Warehouse products must be installed by a fully insured, licensed professional and according to the Glass Warehouse installation instructions and guidelines. Installation of Glass Warehouse product by anyone other than a fully insured licensed professional shall **VOID THE WARRANTY**. Glass Warehouse recommends that such licensed professionals have experience in the installation of bathroom products -specifically glass shower and glass tub doors. Installation of certain products, including, without limitation, glass products (i.e., shower and tub doors) by an unlicensed or inexperienced installer may result in glass breakage and, consequently, may cause personal injury or even death and Glass Warehouse will not be liable.

PARTS ONLY WARRANTY – Limited Warranty 3 years

This warranty is extensive in that it covers replacement of all defects. Glass Warehouse may, at its option, examine and inspect the alleged defective product and Glass Warehouse may request that parts be returned to Glass Warehouse at Owner's expense for factory assessment and inspection. If Glass Warehouse determines product to be covered by the above Warranty, replacement parts will be shipped via ground shipping. Increased costs for expedited delivery, if requested by the Customer, will be the responsibility of Customer. Parts replaced under the terms of this Warranty will be warranted for the remainder

of the original warranty period. **LABOR CHARGES AND/OR DAMAGE INCURRED DURING INSTALLATION, REPAIR, OR REPLACEMENT, AS WELL AS ANY OTHER KIND OF ANCILLARY COST, LOSS OR DAMAGE ARE EXCLUDED.** Please allow up to 1-3 business days for processing of warranty issued parts. Once warranty replacement parts are shipped, warranty is activated and product cannot be returned for refund thereafter.

SHOWER & TUB DOORS, SHOWER ENCLOSURES GLASS

Glass Warehouse shower doors, tub doors, and shower enclosures are backed by a Limited Lifetime Warranty. Glass Warehouse warrants the glass of shower doors, tub doors and shower enclosures to be free from defects in workmanship and materials under normal residential use for a period commencing from the initial date of purchase by the owner/ end-user, contractor or builder from an authorized Glass Warehouse dealer for the life of the product as long as the original consumer purchaser owns the home in which the product is installed. Warranty for plastic seal strips, sweeps or any other vinyl components shall be limited to one (1) year. Glass Warehouse does not warrant glass for scratches, chips, water spots, breaking or any other damage after installation.

SHOWER & TUB DOORS, SHOWER ENCLOSURE HARDWARE

Glass Warehouse shower door, tub door, and shower enclosure hardware is backed by a Limited Lifetime Warranty. Glass Warehouse warrants shower door, tub door and shower enclosure hardware (i.e. handles, bath knobs, hinges, clips, brackets, shower rods, 90° corner brackets) in chrome, brushed nickel, satin brass and polished brass finishes only to be free from defects in workmanship and materials under normal residential use for a period commencing from the initial date of purchase by the owner/ end-user, contractor or builder from an authorized Glass Warehouse dealer for the life of the product as long as the original consumer purchaser owns the home in which the product is installed. Warranty for any part in oil rubbed bronze or matte black finish shall be limited to one (1) year.

Glass Warehouse hereby disclaims all warranties for products sold as dealer or store displays. Glass Warehouse hereby disclaims all warranties for products used outside of the United States or Canada whether expressed or implied, including but not limited to the implied warranties of merchantability and fitness for a particular purpose.

WARRANTY TERMS

Glass Warehouse will, at its election, repair or replace the product found by Glass Warehouse in its sole judgment, to be defective within the warranty period under normal residential use and maintenance. The replacement of a product is limited to supplying a replacement product or part (same as existing or if not available, comparable product). Glass Warehouse warranty

obligation shall be discharged upon tender of parts, replacement or repair of the product. Purchaser's refusal to accept the tender terminates all warranty obligations and **VOIDS THE WARRANTY**. Cost of freight for returning products to Glass Warehouse for repairs or replacement under this limited warranty are the responsibility of the customer. Cost of freight associated with shipping of replacement product(s) or parts covered by this warranty is the responsibility of the original user. Any product replaced or repaired during the warranty period will be covered only for the remaining period of the original warranty. In no event will Glass Warehouse be liable for costs of repair or replacement of any installation material, including but not limited to tile, marble, etc. **GLASS WAREHOUSE IS NOT RESPONSIBLE FOR INSTALLATION, REMOVAL OR REINSTALLATION COSTS OF ANY PRODUCT REQUIRING WARRANTY SERVICES.**

Any modification or alteration of any Glass Warehouse products will void the warranty. Neither the authorized Glass Warehouse dealer, nor any other person is permitted to make any affirmation, representation, or warranty other than those contained in this warranty. Any affirmation, representation, or warranty other than those contained in this warranty shall not be enforceable against Glass Warehouse or any other person.

Glass Warehouse product installations must be performed by either a Glass Warehouse authorized agent or a licensed, insured and experienced professional contractor - installations performed by any other party shall void the warranty. This warranty shall not apply to breakage or damages caused by normal wear and tear, fault, carelessness, abuse, misuse, misapplication, improper maintenance, alteration or modification of the unit, as well as chemical or natural corrosion, accident, fire, flood or any other casualty. Improper care and cleaning will void the warranty. Use of cleaners containing abrasive cleansers, ammonia, bleach, acids, waxes, alcohol, solvents or other products not recommended for hardware finishes, glass or acrylic as they may damage the metal or glass finish of your shower door or shower enclosure and will void the warranty. For additional product maintenance instructions please refer to the product installation manual. Glass Warehouse is not responsible for any issues arising in connection with errors or omissions in information provided on Glass Warehouse or dealers' websites. This warranty does not extend to any non-Glass Warehouse plumbing or components installed by installers, end users or by any party other than Glass Warehouse.

THE FOREGOING WARRANTIES ARE IN LIEU OF ALL OTHER WARRANTIES, EXPRESSED OR IMPLIED, INCLUDING BUT NOT LIMITED TO THE IMPLIED WARRANTIES OF MERCHANTABILITY AND FITNESS FOR A PARTICULAR PURPOSE. BATH AUTHORITY LLC ("GLASS WAREHOUSE") AND/OR SELLER DISCLAIMS ALL LIABILITY FOR SPECIAL, INCIDENTAL OR CONSEQUENTIAL DAMAGES. GLASS WAREHOUSE IS NOT LIABLE FOR PERSONAL INJURIES OR DEATH TO ANY PERSON OR FOR ANY DIRECT, SPECIAL,

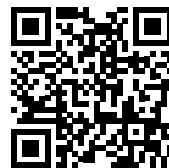
INCIDENTAL OR CONSEQUENTIAL DAMAGE, LOSS OF USE, LOSS OF TIME, LOSS OF PROFITS, INCONVENIENCE, INCIDENTAL EXPENSES, LABOR OR MATERIAL CHARGES, OR ANY OTHER COSTS RESULTING FROM THE USE OF ITS PRODUCTS OR PERTAINING TO THE APPLICATION OF THE PRESENT WARRANTY, OR RESULTING FROM THE REMOVAL OR REPLACEMENT OF ANY PRODUCT OR ELEMENT OR PART COVERED BY THIS WARRANTY.

COMMERCIAL USE AND OTHER EXCLUSIONS

This warranty excludes all industrial, commercial and business usage. The warranty period for products installed for commercial applications or used in commercial ventures, including but not limited to motels, hotels, casinos, student housing, condos, apartments, and fitness centers, is a one (1) year limited warranty from the date of purchase for shower doors, bathtub doors, shower enclosures and a three (3) month limited warranty from the date of purchase for mirrors, with all other terms of this warranty applying except the duration of the warranty.

WARRANTY SERVICE

To activate your limited lifetime warranty, please visit:
<http://www.glasswarehouse.us/contact/>



Please register your information within 30 days of purchase to complete the activation of your warranty.

**Contact Technical Support:
Monday – Friday 8am – 5pm – PST**

Technical Support: 760-536-3640

GLASSWAREHOUSE

Register Your Warranty Today!

To activate your limited lifetime warranty, please visit:
<http://www.glasswarehouse.us/contact/>



We will require this information within 30 days of purchase to complete the activation of your warranty.